

## Items Supplied >

- 1 - Front & Rear Exhaust Mufflers
- 2 - HeatShields w/clamps
- 1 - Exhaust Mounting Bracket
- 1 - Regulator Bracket
- 4 - 5/16" x .63 Hex Bolt
- 1 - M10 Fine Thread Bolt
- 1 - M10 Spring Washer
- 1 - 3/8-16 x 1.00 Hex Bolt
- 1 - 3/8 Nut
- 1 - 3/8 Washer
- 2 - Slider Brackets

## Application(s) >

- HONDA VTX1800 RETRO 02-07
- HONDA VTX1800N 04-08
- HONDA VTX1800F 05-08
- (Does not fit VTX 1800C)**

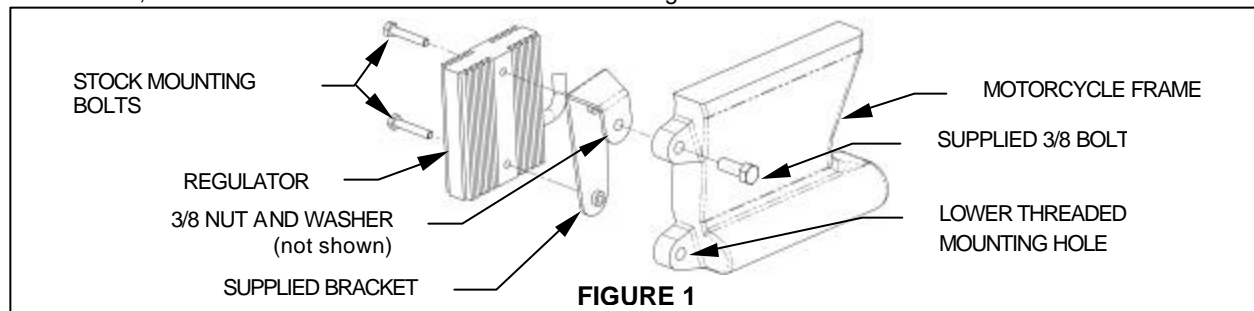
## Instruction Manual >

1176SC

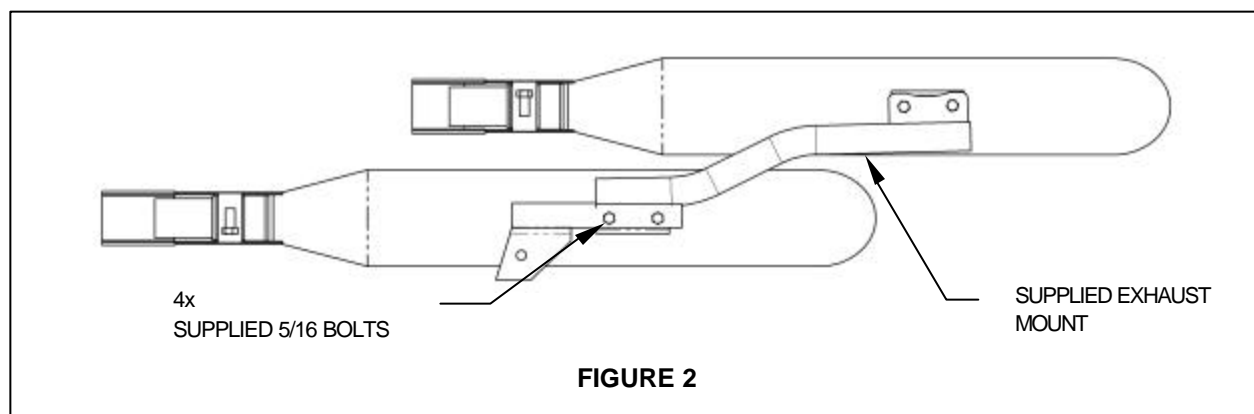
Page 1 of 2

### Read all instructions carefully and completely before installing your new mufflers

1. Remove your stock mufflers and large muffler bracket. Remove regulator from stock exhaust bracket but leave wiring harness connected. Mount the regulator to supplied regulator bracket as shown in Fig. 1. Use supplied 3/8" bolt, washer & nut to secure to frame as shown in Fig. 1.



2. Remove the Cobra mufflers from box and place the mufflers on a flat surface with the bracket facing up. Place the supplied slider brackets flat side up inside the bracket of each muffler.
3. Remove the exhaust mounting bracket from the box. Place on top of the muffler brackets and bolt into place using supplied 5/16 bolts, but do not tighten. Refer to Fig. 2.



\* *Cobra recommends you always wear a helmet while riding. Please never operate your motorcycle while under the influence of alcohol and/or drugs. Enjoy the new look of your motorcycle and please ride safely.*

4. Install the supplied muffler clamps on the front and rear muffler (refer to Fig. 3). Take muffler assembly (with mount) and slide onto stock headpipes. Line up bottom hole of mounting bracket with the threaded mounting hole on frame (refer to Fig. 1) and install supplied M10 fine thread bolt and M10 spring washer, but do not tighten. **Note: make sure M10 bolt threads into frame prior to installation to avoid damage to threads.**
5. Rotate the muffler clamps as shown in figure 3. **DO NOT TIGHTEN.** The clamps should not be pushed back past the slots or the muffler will not tighten on the headpipe.
6. Make sure the mufflers are parallel to each other and tighten the M10 bar mount bolt and then 5/16 bolts on the back of each muffler. Tighten the clamps on the front of each muffler.
7. Unscrew the hose clamps and feed the tail end of the clamp through the clips on the inside of each heat shield. The screw end of the hose clamp should be accessible for tightening but not visible when the heat shield is mounted to the pipe.
8. Slide the supplied heat shields under the stock heat shield snapping the rear of the shield onto the muffler and tighten the clamps. (NOTE: Heat shield clamp should ride in the groove between the ring on the stock pipe and the end of the stock heat shield. Refer to fig 4) It is critical the rear cylinder heat shield slides under the stock heat shield a  $\frac{1}{4}$ " for proper fitment. If the shield is slid to far forward the rear of the shield will not clamp down on the muffler properly.

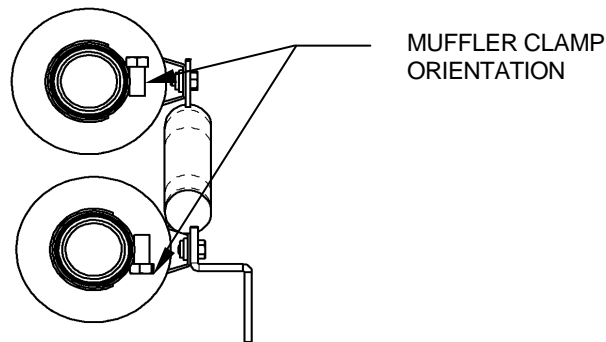


FIGURE 3

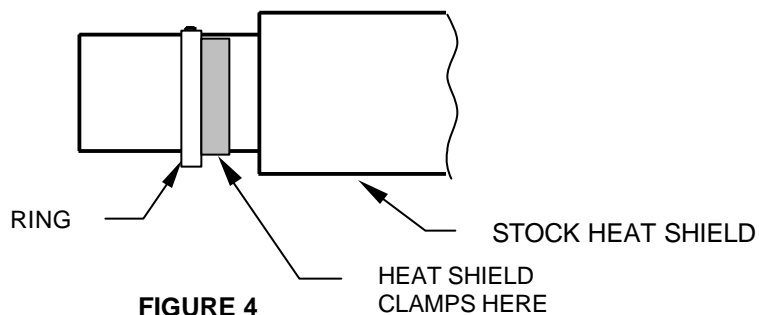


FIGURE 4

**Note:** If your motorcycle came equipped with an O2 sensor in the stock exhaust you will need to install a Cobra O2 sensor removal kit part number 92-1100.

**IMPORTANT:** Cobra highly recommends using a Fi2000 Fuel Management System to help eliminate lean conditions and popping sounds. Cobra Part# 92-1650.

**Before starting your engine remove all fingerprints from chrome with a quality wax or chrome polish. Failure to do so can cause discoloration. Due to fluctuations in fuel injection settings, timing, etc., Cobra Engineering does not warrant against chrome discoloration.**