



# MOUNTING INSTRUCTIONS



2321-0070 FATS/SLIMS 9" HDLT. MOUNTING KIT SUZUKI VOLUSIA C-50 800

## ▲ WARNING

Read and follow these directions carefully. During installation, make sure that the windshield and hardware do not interfere with any cables or wiring when the forks are turned all the way in either direction. Also make sure, through the full range of adjustment, that the windshield and hardware do not hit the tank.

This is a detachable windshield, **ALWAYS** make sure the Locking Mechanism is Fully Engaged after installing the windshield!

The improper installation of this kit and related components could result in serious injury or death.

## CAUTION

7. There are two holes on the lower end of each bracket. Use the holes on the right, as you are looking at it and mounting it on the bike. Install the 8mm x 25mm button head cap screw in this order. Place the screw through the washer, through the turn signal bar, through the mounting bracket, then through the aluminum spacer. Insert the screw into the original turn signal bar mounting hole and thread it a few turns. Repeat this step for the right mounting bracket.
8. Slip the windshield brackets into the bushings, adjust height and angle. Now tighten all mounting all bolts. (see fig. 3)
9. Install the turn signal bar cover.

**Note:** This is a detachable windshield, **ALWAYS** make sure the Locking Mechanism is Fully Engaged after installing the windshield! (see figure 5)

Additional tools required that are not included in this kit. 7/16" or 11mm Wrench and 13mm wrench.

### IMPORTANT CARE AND CLEANING INSTRUCTIONS

1. Cover gas tank and front fender with towels to avoid damage during installation.

Memphis Shades Windshields and Lowers are made of Lucite® acrylic, and will last for years with proper care. Clean your windshield with plenty of soapy water — mild dishwashing liquid is best — and a soft cotton cloth. Use your bare hand to feel and dislodge bugs, or cover with a wet soapy towel and let it soak. Don't use paper towels and don't scrape with anything. Small scratches can be removed with NOVUS # 2.

2. Install the two mounting plates onto the windshield, using the bottom and third bolt up. Leave the nylon washers off. The small tab goes to the bottom, big one at the top. *Tabs point out towards the edge of the windshield.* (see fig. 1)

**NEVER** use any glass cleaning products, petroleum based chemicals, or cleaning agents with ammonia, bleach or any other harsh chemicals. This includes (but not limited to) RainX, brake fluid, acetone, paint thinner, benzene and gasoline. "If it hurts your nose, it will hurt the plastic."

3. Locate the two cast 8mm holes (not being used) underneath the upper triple tree brace. Using the new 8mm x 12mm SS Hex Cap Screws and washers (provided in bag), install one L-tab in each hole. Face the L-tabs forward and flush with the front of the upper triple tree and loosely tighten (see fig. 2)

**Glass cleansing agents will cause severe damage to your windshield, and will void your warranty.**

4. Remove the turn signal bar cover by removing the Allen bolt located under the turn signal bar cover using the 3mm Allen Wrench (provided in the kit). Then **CAREFULLY** pull it straight out and off of the two locator pins. Set it aside in a safe place.

**NOTE:** At certain times of the day the Sunlight can reflect off the curvature of a windshield and cause extreme heat build-up on motorcycle instruments and instrument panel. Take care when parking. Park facing the sun, place an opaque object over the instruments or adjust the windshield to avoid reflections.

5. Remove the turn signal bar by locating and removing the two green mounting bolts and let the turn signal bar dangle.

6. Install the left mounting bracket (clutch lever side) by sliding the top elongated hole into the L-tab bracket, and loosely tighten it. Repeat this step for the right mounting bracket. (throttle side)

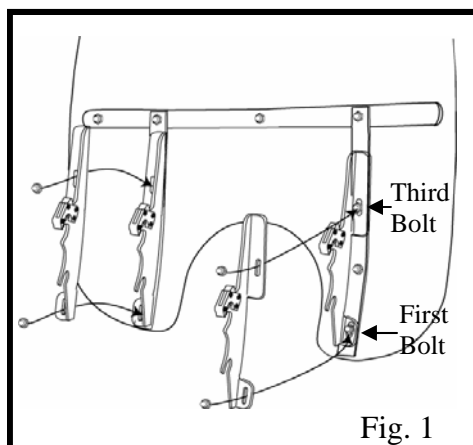


Fig. 1

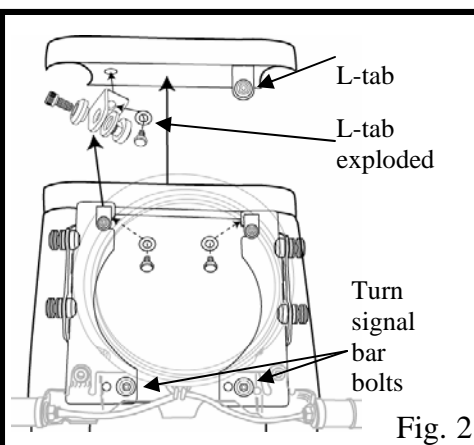


Fig. 2

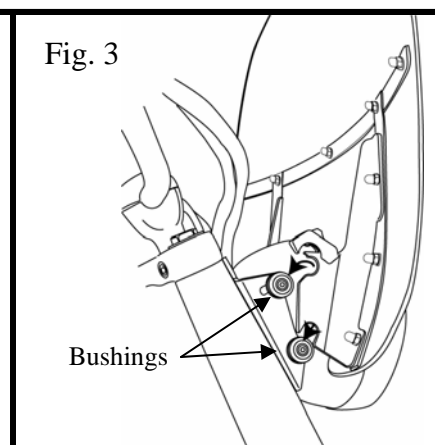


Fig. 3



# MOUNTING INSTRUCTIONS



## 2321-0070 FATS/SLIMS 9" HDLT. MOUNTING KIT SUZUKI VOLUSIA C-50 800

PART #	DESCRIPTION	QTY.
M8979	MOUNTING INSTRUCTIONS	1
M1182	RIGHT MOUNTING PLATE	1
M1183	LEFT MOUNTING PLATE	1
M1178	RIGHT MOUNTING BRACKET	1
M1179	LEFT MOUNTING BRACKET	1
M373	8mm X 12mm HEX HEAD CAP SCREW	2
M780	UPPER BRACKET L-TAB	2
M505	BUTTON NUT	6
M501	BEVELED SOCKET WASHER	2
M365	NYLON WASHER	2
M302	1/4" - 20 X 1/2" SOCKET HEAD CAP SCREW	2
R353	8MM x 25mm BUTTON HEAD CAP SCREW	2
M321	5/16" SS FLAT WASHER	4

PART #	DESCRIPTION	QTY.
M568	7/8" BEVELED SHOULDER SPACER	2
R321	1" INDENTED SPACER WASHER	4
R323	BUSHING ASSEMBLY (2 PART)	4
R324	#207 EPDM O-RING	4
R318	1" SOCKET SHOULDER WASHER	4
M303	1/4" - 20 X 3/4" SOCKET HEAD CAP SCREW	4
R322C/T	LATCH ASSEMBLY	2
M372	3mm ALLEN WRENCH	1
M310	3/16" SHORT ARM ALLEN WRENCH	1
M313	3/16" ALLEN WRENCH COVER	1
R354	6mm BALL END LONG ARM ALLENWRENCH	1

**Figure 4**

- Place lower slot into lower bushing.
- Rotate top slot into place.
- & 4. Secure locking Mechanism.

**MEM8979 FATS/SLIMS KIT**

- M1178
- M1179
- M1182
- M1183
- M302
- M501
- M780
- M365
- M505
- M373
- M321
- M568
- R353

**NOT CORRECT** vs **CORRECT Fully engaged**

Memphis Shades warrants all product components, metal and plastic, against defects in materials and workmanship for 24 months.

**FOR PARTS AND WARRANTY HELP, CONTACT:**  
 MEMPHIS SHADES  
 P. O. Box 429  
 Rossville, TN 38066  
 (901) 853-0293

Visit us on the web at [www.memphisshades.com](http://www.memphisshades.com) or you can also reach us at [customerservice@memphisshades.com](mailto:customerservice@memphisshades.com)