



MOUNTING INSTRUCTIONS

2321-0080 YAMAHA ROAD STAR FATS/SLIMS MOUNTING KIT '99—'08

! WARNING

Read and follow these directions carefully. During installation, make sure that the windshield and hardware do not interfere with any cables or wiring when the forks are turned all the way in either direction. Also make sure, through the full range of adjustment, that the windshield and hardware do not hit the tank.

This is a detachable windshield, ALWAYS make sure the Locking Mechanism is Fully Engaged after installing the windshield!

The improper installation of this kit and related components could result in serious injury or death.

- Additional tools required that are not included in the kit. 7/16" or 11mm wrench, 10mm wrench and a blunt pry tool.
1. Cover gas tank and front fender with towels to avoid damage during installation.
 2. Install the two mounting plates on the windshield using the bottom and third bolt up. Leave the nylon washers off. The small tab goes to the bottom, big one to the top. *Tabs point out away from the headlight*, (Fig-1).
 3. Using a blunt tool carefully pry off the two bolt hole covers on each side of the headlight, (Fig-2).
 4. Use a 10mm wrench to remove the headlight bracket bolts from the lower triple tree, (Fig-2).
 5. Assemble a small L bracket onto the rear face of the Right and Left brackets, (Fig-3). Do not tighten bolts at this time.
 6. Locate the small L brackets over the remaining bolt in the lower triple tree and secure in place using the original headlight bracket bolts, (Fig-4). Do not tighten bolts at this time.
 7. Complete the installation of the Right and Left bracket assemblies by using the exposed holes either side of the headlight, (Fig-4). Fit the bolt through the washer, through the bracket, through the spacer and into the triple tree. Confirm the fit is good and tighten all bolts.
 8. Install the windshield by placing the lower slots into the

lower mounting bushings. Slip the upper slots into the upper mounting bushings and gently but firmly seat the slots into place. Lock the locking mechanism into place, (Fig-5)

9. Adjust the height, angle and alignment of the windshield and tighten *ALL* bolts.

Note: This is a detachable windshield, ALWAYS make re the Locking Mechanism is Fully Engaged after installing the windshield! (see figure 5)

CAUTION

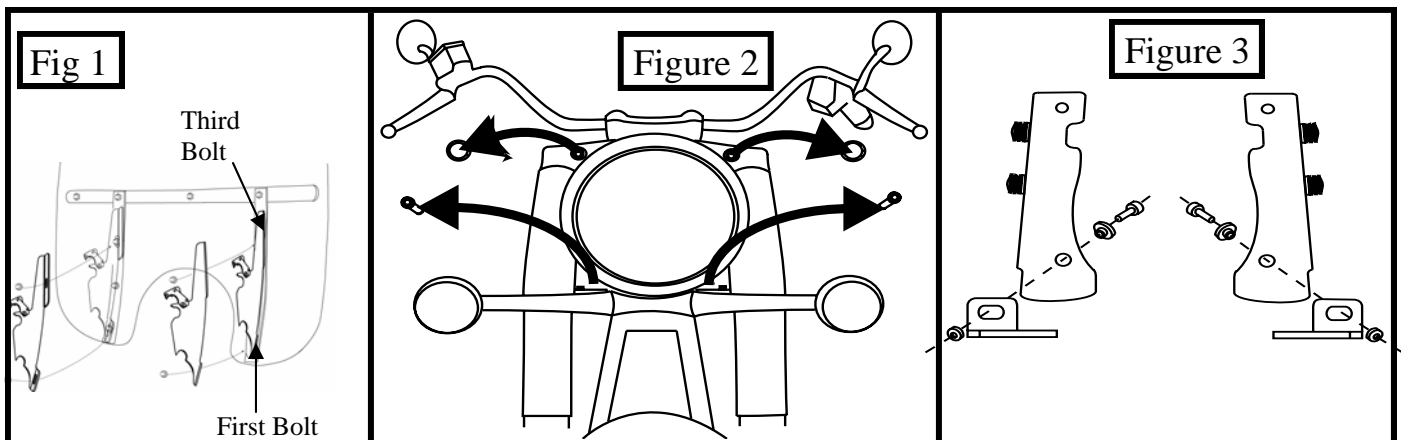
IMPORTANT CARE AND CLEANING INSTRUCTIONS

Memphis Shades Windshields and Lowers are made of Lucite® acrylic, and will last for years with proper care. Clean your windshield with plenty of soapy water — mild dishwashing liquid is best — and a soft cotton cloth. Use your bare hand to feel and dislodge bugs, or cover with a wet soapy towel and let it soak. Don't use paper towels and don't scrape with anything. Small scratches can be removed with NOVUS # 2.

NEVER use any glass cleaning products, petroleum based chemicals, or cleaning agents with ammonia, bleach or any other harsh chemicals. This includes (but not limited to) RainX, brake fluid, acetone, paint thinner, benzene and gasoline. "If it hurts your nose, it will hurt the plastic."

Glass cleansing agents will cause severe damage to your windshield, and will void your warranty.

NOTE: At certain times of the day the Sunlight can reflect off the curvature of a windshield and cause extreme heat build-up on motorcycle instruments and instrument panel. Take care when parking. Park facing the sun, place an opaque object over the instruments or adjust the windshield to avoid reflections.





MOUNTING INSTRUCTIONS

2321-0080 YAMAHA ROAD STAR FATS/SLIMS MOUNTING KIT '99-'08

Part #	Description	Qty
M8981	Mounting Instructions	1
M1189	Left Mounting Plate, Fats / Slims	1
M1188	Right Mounting Plate, Fats / Slims	1
M1193	Left Road Star Bracket	1
M1192	Right Road Star Bracket	1
R318	1" Socket Shoulder Washer	4
R323	Bushing Assembly (2 part)	4
R324	#207 EPDM O Ring	4
M303	1/4"-20 x 3/4" Socket Head Cap Screw	4
M505	Button Nut	4
R321	1" Recessed Spacer Washer	4
M1195	Left Lower Bracket	1
M1194	Right Lower Bracket	1
R322C	Clutch Side Latch Assembly	1

Part #	Description	Qty
R322T	Throttle Side Latch Assembly	1
R334	6-32 x 3/8" Flat Head SS Screw	8
R326	SS Spring	2
M310	3/16" Short Arm Allen Wrench	1
M313	3/16" Allen Wrench Cover	1
R349	10mm x 20mm Button Head Cap Screw	2
R337	10mm SS Washer	2
R335	3/4" x 1/8" Upper Bolt Spacer	2
M302	1/4"-20 x 1/2" Socket Head Cap Screw	2
M501	Beveled Socket Washer	2
R329	Slot Nut	2
M311	6mm Short Arm Allen Wrench	1

Figure 4

MEM8981 FATS/SLIMS KIT

Figure 5

LATCH ASSEMBLY

1. Place lower slot into lower bushing.
2. Rotate top slot into place.
3. Secure locking

NOT CORRECT **CORRECT**
Fully engaged

Memphis Shades warrants all product components, metal and plastic, against defects in materials and workmanship for 24 months.

FOR PARTS AND WARRANTY HELP, CONTACT:
MEMPHIS SHADES
P. O. Box 429
Rossville, TN 38066
(901) 853-0293

Visit us on the web at www.memphisshades.com or
You can also reach by email:
customerservice@memphisshades.com