



Part No. 2321-0092

M8986 050808

Suzuki Boulevard C109R
2008
Fats / Slims Mounting Kit

Detachable, Trigger Lock System
Adjustable Height and Rake Angle
Aluminum and Stainless Steel construction

Before assembly, read Warnings inside



WARNING

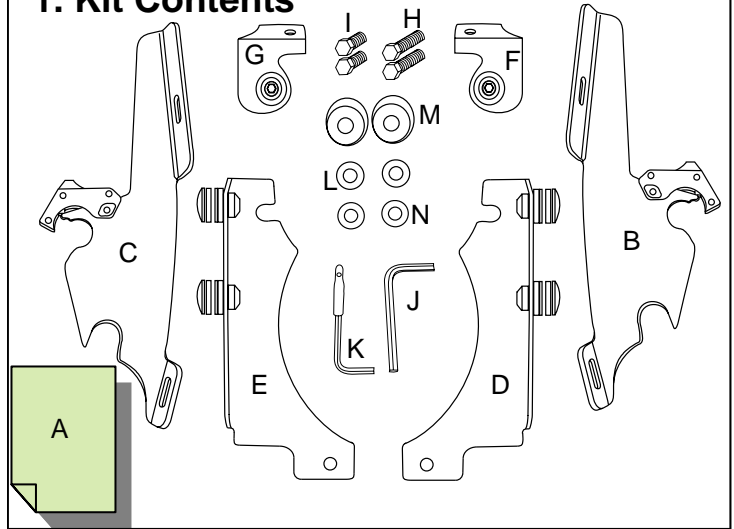
1. During installation, make sure that the windshield and hardware do not interfere with any cables or wiring when the forks are turned all the way in either direction. Also make sure , through the full range of adjustment, that the windshield and hardware do not hit the gas tank.
2. This is a detachable windshield, always make sure the locking mechanism is fully engaged after installing the windshield.
3. The improper installation of this kit and related components could result in serious injury or death.



CAUTION

1. Memphis Shades windshields and Lowers are made from Lucite® acrylic, and will last for years with proper care. Clean your windshield with plenty of soapy water (mild dishwashing liquid is best) and a soft cotton cloth. Use your bare hands to feel and dislodge bugs, or cover with a wet, soapy towel and let it soak. Don't use paper towels and scrape with anything. Small scratches can be removed with NOVUS #2.
2. Never use any glass cleaning products, petroleum based chemicals, or cleaning agents with ammonia, bleach or any other harsh chemicals. This includes (but not limited to) RainX, brake fluid, acetone, paint thinner, benzene and gasoline. "If it hurts your nose, it will hurt the plastic."
3. Glass cleansing agents will cause severe damage to your windshield, and will void your warranty.
4. At certain times of the day the sunlight can reflect off the curvature of a windshield and cause extreme heat build up on motorcycle instruments and instrument panel. Take care when parking. Park facing the sun, place an opaque object over the instruments or adjust the windshield to avoid reflections

1. Kit Contents



Ref	Part #	Description	Qty
A	M8986	Mounting instructions	1
B	M1188	Right mounting plate assembly	1
C	M1189	Left mounting plate assembly	1
D	M1204	Right bracket assembly	1
E	M1205	Left bracket assembly	1
F	M1206	Right upper bracket assembly	1
G	M1207	Left upper bracket assembly	1
H	R355	8mm-1.25x25mm SS hex head screw	2
I	M373	8mm-1.25x12mm SS hex head screw	2
J	M372	3mm short arm allen wrench	1
K	M310	3/16" short arm allen wrench assembly	1
L	M321	5/16" SS Flat Washer	2
M	R501	Beveled spacer washer	2
N	R312	8mm SS Flat Washer	2

Memphis Shades warrants all product components, metal and plastic, against defects in materials and workmanship for 24 months.

For Parts and Warranty Help, Contact:

Memphis Shades, Inc.
P.O. Box 429
Rossville, TN 38066
(901) 853 0293

Visit us on the web at www.memphisshades.com or you can also reach us by email:

customerservice@memphisshades.com



Part No. 2321-0092

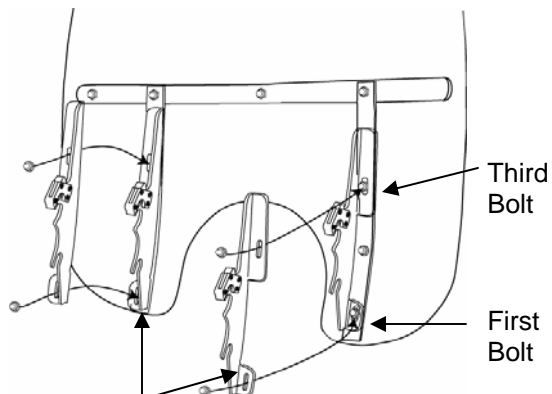
M8986 050808

Suzuki Boulevard C109R
2008
Fats / Slims Mounting Kit

2. Mounting Instructions

1. Additional tools required, not included in this kit:
7/16" or 11mm wrench, 13mm wrench
2. **Cover the gas tank and front fender with towels to avoid damage during installation.**
3. Install the two mounting plates (B & C) onto the windshield, using the bottom and third bolt up. Leave the nylon washers off. The small tab goes to the bottom, the big one to the top. The tabs point out, away from the headlight. (See Fig 1)
4. Use the provided allen wrench (J), and remove the bolt from the bottom of the turn signal bar cover. Remove the turn signal bar cover. (See Fig 2)
5. Install the upper brackets (F & G) in the two unused holes in the upper triple tree using the bolts (I) and washers (N) provided. A 13mm wrench is required. (See Fig 3)
6. Remove the two turn signal bar bolts and discard. Fit the lower brackets (D & E), and secure in place with the hardware provided. Fit the spacer (M) behind the bracket, and push the bolt (H), with washer (L) through the bracket. Rotate the lower bracket onto the upper bracket bushing and tighten down. (See Fig 4)
7. Slip the windshield mounting plates and windshield onto the fork clamp bushing. (See Fig 5)
8. Secure the Left and Right side Trigger Lock, locking mechanism. (Fig 6)
9. Adjust the height, angle and alignment of the windshield then tighten **all** bolts. (See Fig 7)
10. Replace the turn signal bar cover and secure with the factory supplied bolt.

Fig 1



Tabs face out, away from headlight.

Fig 2

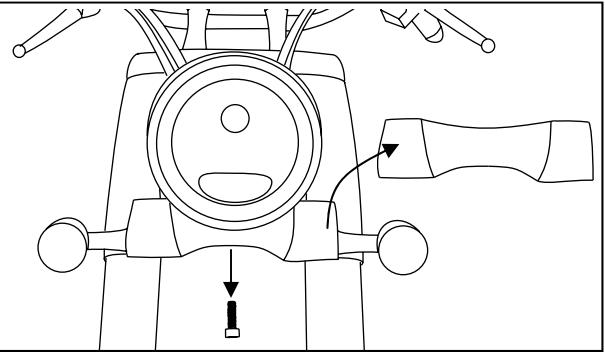


Fig 3

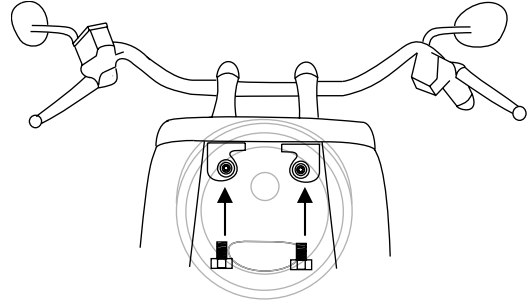


Fig 4

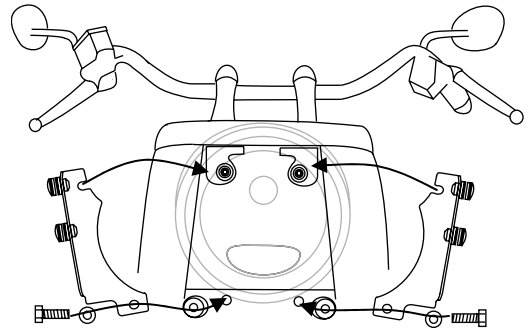


Fig 5

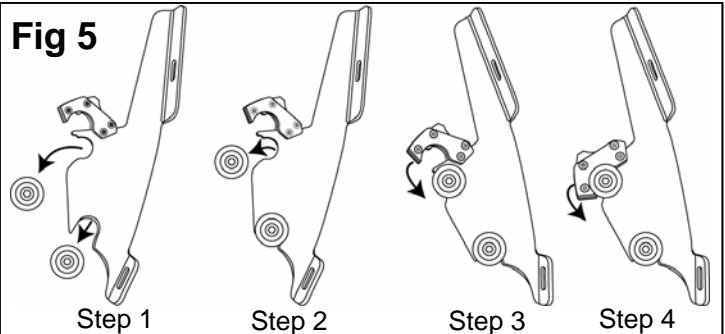


Fig 6

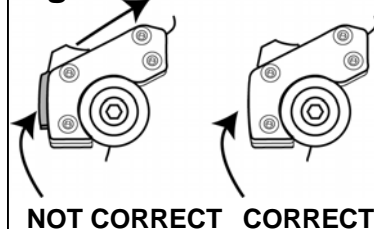
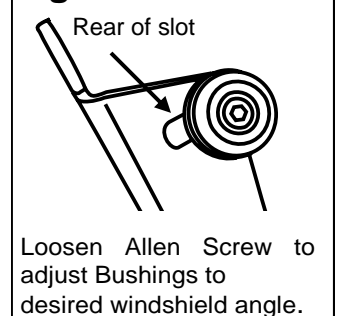


Fig 7



The Fusion of Style & Function