



MOUNTING INSTRUCTIONS



MEM-9926 FATS/SLIMS 9" HDLT. MOUNTING KIT Kawasaki VN1500FI (00-05)

! WARNING

Read and follow these directions carefully. During installation, make certain that when turning the forks, there can be no interference with wiring or cables AND, that the windshield can not hit the gas tank, through the windshield's full range of adjustment.

This is a quick change kit, ALWAYS tighten all mounting bolts after removing or installing the windshield!

The improper installation of this kit and related components could result in serious injury or death.

Additional tools required that are not included in this kit. 7/16" or 11mm, 12mm, 8mm Wrench, or 1/4 socket and ratchet.

1. Cover gas tank and front fender with towels to avoid damage during installation.
2. Locate the four mounting bolts for the Turn Signal Bar. Using an 8mm wrench, remove the two bolts from under the lower triple tree. Then with a 5mm Allen wrench remove the two outer screws located on the sides of the forks. (see Fig. 1)
3. Let the Turn Signal Bar rest carefully. Locate the two upper mounting screws. They are located just above the headlight on the upper triple tree between the forks. (see figure 4) Remove these bolts and the metal trim bar using a 5mm Allen wrench. Place the bar in a safe place for reinstallation.
4. Install the brackets by slipping them under the Turn Signal Bar. Loosely install one of the new longer 6mm Allen screws and washer to hold it in place. Repeat this for the other side. *Make sure these brackets interlock below the Turn Signal Bar.* (see Fig. 2, and Fig. 4)
5. Install the upper mounting screws using the new longer 8mm stainless steel button head screws provided. Slip the screw through the Nylon washer, into the bracket, through the aluminum spacer, into the trim bar removed earlier and loosely install the screws into the upper triple tree. (see Fig. 3)

6. Once all four mounting bolts are loosely installed, re-install the two outer mounting screws for the Turn Signal Bar and tighten ALL of the mounting bolts.
7. Install the two mounting plates onto the windshield, using the bottom and third bolt up. Leave the nylon washers off. The small tab goes to the bottom, big one at the top. *Tabs point out towards the edge of the windshield.* (see fig. 5)
8. Loosen the anchor bolts and slip the windshield into place, start bottom slots first then the top slots. Adjust height, angle and tighten ALL mounting bolts. (see Figure 5)

Note: This is a quick change kit, ALWAYS tighten all mounting bolts after removing or installing the windshield!

CAUTION

IMPORTANT CARE AND CLEANING INSTRUCTIONS

Memphis Shades Windshields and Lowers are made of Lucite® acrylic, and will last for years with proper care. Clean your windshield with plenty of soapy water — mild dishwashing liquid is best — and a soft cotton cloth. Use your bare hand to feel and dislodge bugs, or cover with a wet soapy towel and let it soak. Don't use paper towels and don't scrape with anything. Small scratches can be removed with NOVUS # 2.

NEVER use any glass cleaning products, petroleum based chemicals, or cleaning agents with ammonia, bleach or any other harsh chemicals. This includes (but not limited to) RainX, brake fluid, acetone, paint thinner, benzene and gasoline. "If it hurts your nose, it will hurt the plastic."

Glass cleansing agents will cause severe damage to your windshield, and will void your warranty.

NOTE: At certain times of the day the Sunlight can reflect off the curvature of a windshield and cause extreme heat build-up on motorcycle instruments and instrument panel. Take care when parking. Park facing the sun, place an opaque object over the instruments or adjust the windshield to avoid reflections.

Remove the two lower screws and the two outer screws. Let the Turn Signal Bar rest against the forks.

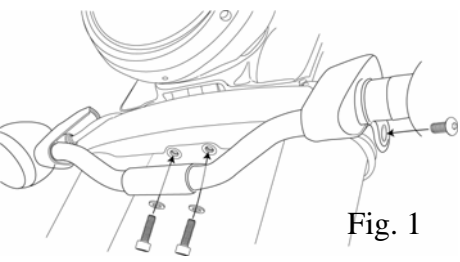


Fig. 1

Slip the brackets under the Turn Signal Bar. Loosely install the new longer 6mm Allen screws while making sure the tabs interlock

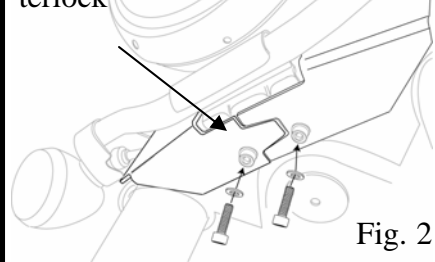
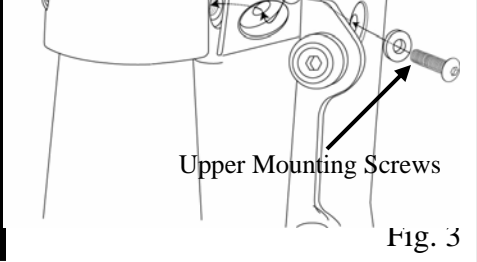


Fig. 2



Upper Mounting Screws

Fig. 3



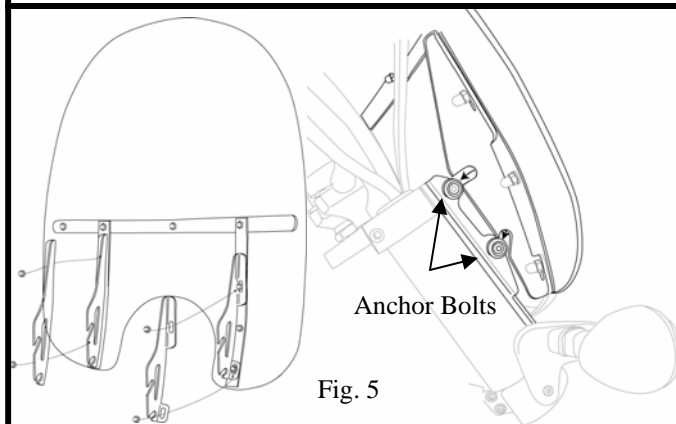
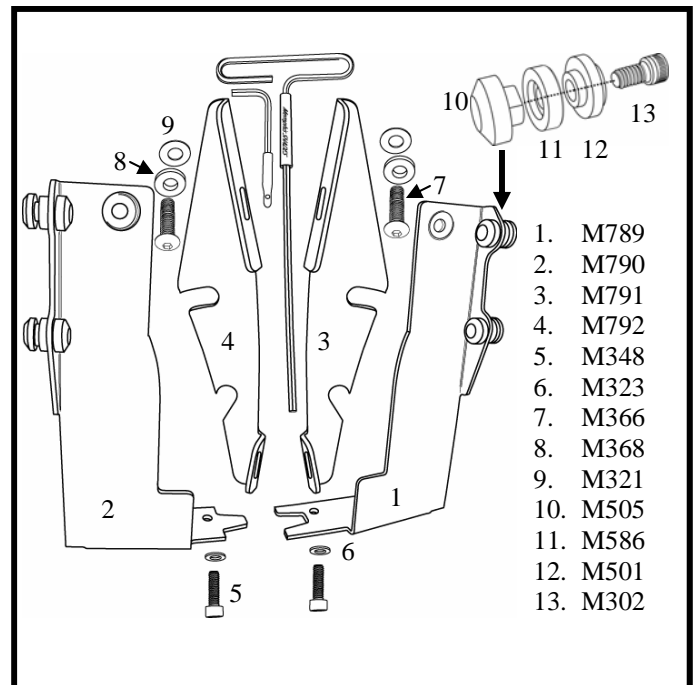
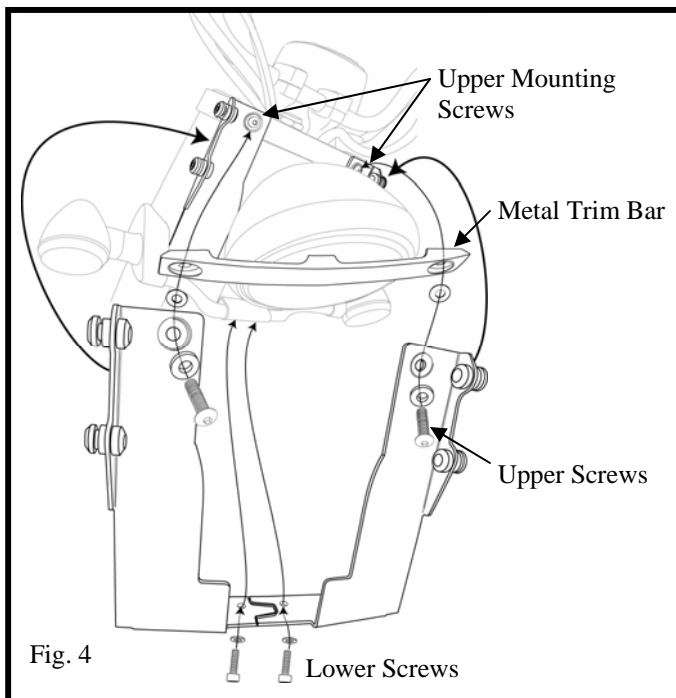
MOUNTING INSTRUCTIONS



MEM-9926 FATS/SLIMS 9" HDLT. MOUNTING KIT Kawasaki VN1500FI (00-05)

| PART # | DESCRIPTION | QTY. |
|--------|-------------------------------------|------|
| M926 | Mounting Instructions/Parts List | 1 |
| M791 | Left Mounting Plate | 1 |
| M792 | Right Mounting Plate | 1 |
| M790 | Right Mounting Bracket | 1 |
| M789 | Left Mounting Bracket | 1 |
| M348 | 6mm x 20mm SS Socket Head Cap Screw | 2 |
| M366 | 8mm x 30mm Button Head Cap Screw | 2 |
| M368 | Nylon Washer | 2 |
| M323 | 6mm SS Flat Washer | 2 |

| PART # | DESCRIPTION | QTY. |
|--------|---|------|
| M321 | 5/16" SS Flat Washer | 2 |
| M505 | Button Nut | 4 |
| M586 | Recessed Spacer Washer | 4 |
| M501 | Beveled Socket Washer | 4 |
| M302 | 1/4"-20 x 1/2" SS Socket Head Cap Screw | 4 |
| M310 | 3/16" Short Arm Allen Wrench | 1 |
| M313 | 3/16" Allen Wrench Cover | 1 |
| M314 | 3/16" T-Handle Allen Wrench | 1 |
| M337 | 3/16" T-Handle Allen Wrench Cover | 1 |



Memphis Shades warrants all product components, metal and plastic, against defects in materials and workmanship for 24 months.

FOR PARTS AND WARRANTY HELP, CONTACT:

MEMPHIS SHADES
P. O. Box 429
Rossville, TN 38066
(901) 853-0293

Visit us on the web at www.memphisshades.com or
You can also reach us at
customerservice@memphisshades.com