

MOTOPLASTIC, S.A.

Molí de la sal, 1 - 08403 Granollers (Barcelona) SPAIN

Tel. 34 93 849 06 33 - Fax 34 93 849 09 88

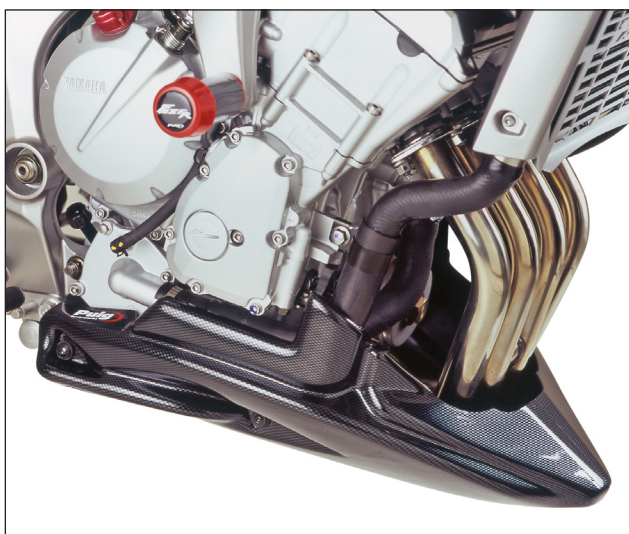
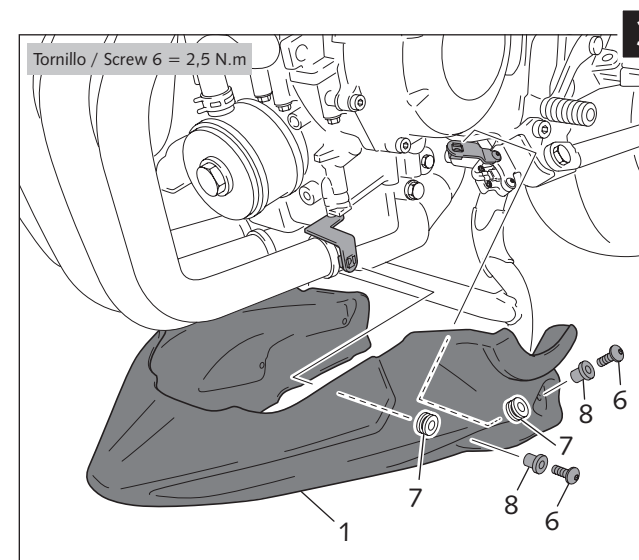
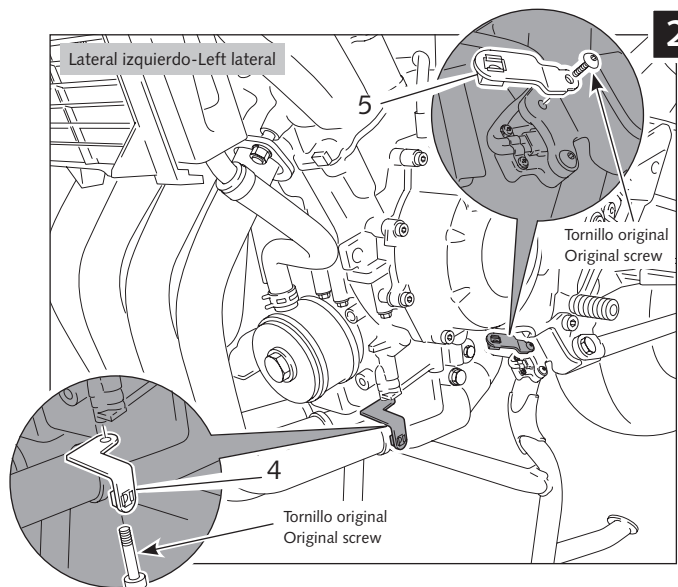
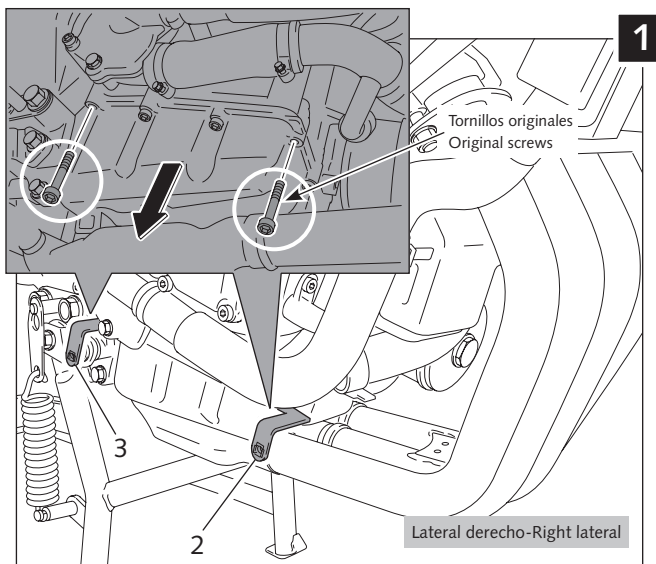
info@puig.tv









www.puig.tv

## INSTRUCCIONES DE MONTAJE - MOUNTING INSTRUCTIONS

QUILLA ADAPTABLE A - ENGINE SPOILER ADAPTABLE TO  
FZ6/FZ6 FAZER '04 - '08'/FAZER S2 '07 - '10

Ref.: 1691N  
(color negro/black colour)  
Ref.: 1691C  
(color carbono/carbón look)



ID.	DESCRIPCIÓN	DESCRIPTION	QTY.
1	 Quilla	Engine spoiler	1
2	 Soporte derecho delantero con tuerca enjaulada M6	Right front support with an inside M6 nut	1
3	 Soporte derecho trasero con tuerca enjaulada M6	Right rear support with an inside M6 nut	1
4	 Soporte izquierdo delantero con tuerca enjaulada M6	Left front support with an inside M6 nut	1
5	 Soporte izquierdo trasero con tuerca enjaulada M6	Left rear support with an inside M6 nut	1
6	 Tornillo allen M6x20 ISO 1001	M6x20 ISO 1001 allen screw	4
7	 Silemblock Ø9xØ11xØ18	Ø9xØ11xØ18 well nut	4
8	 Casquillo con valona (se suministra montado en la pieza nº1)	Bush with flange (supplied fitted to Part No.1)	4
9	 Conjunto adhesivos (ver anexo)	Stickers set (annexe)	1

QUILLA ADAPTABLE A - ENGINE SPOILER ADAPTABLE TO  
YAMAHA FZ6 FAZER S2 '04 - '10

